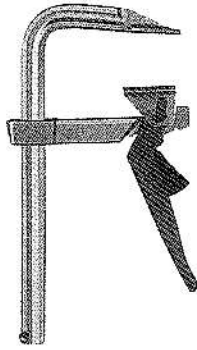
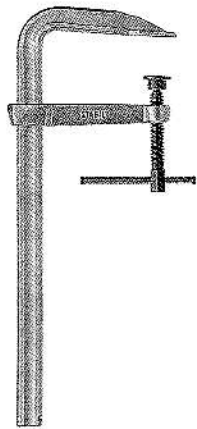


781

Full-steel lever clamp annealed and high-polish galvanized

Bow and slider of special steel, lever with plastic coating, large steel pressure plate, galvanized.

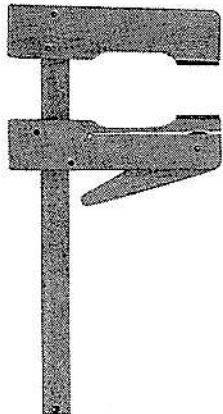
Item No.	Type	Clamping width mm	Reach mm	Steel rail mm	Weight kg
781.016	GZH 16- 8	160	80	16 x 7,5	0,68
781.020	GZH 20-10	200	100	19,5 x 9,5	0,98
781.025	GZH 25-12	250	120	27 x 13	1,50
781.030	GZH 30-12	300	120	27 x 13	2,03
781.040	GZH 40-12	400	120	27 x 13	2,25
781.050	GZH 50-12	500	120	27 x 13	2,49
781.060	GZH 60-12	600	120	27 x 13	2,75
781.080	GZH 80-12	800	120	27 x 13	3,23
781.100	GZH 100-12	1000	120	27 x 13	3,65

782

Full-steel clamps extra heavy duty design

annealed, high-polish galvanized, strength and breakage tested, special pressure plate, easily moveable and replaceable, spindle hardened, clamping force about 2200 kp at 150 mm clamping width.

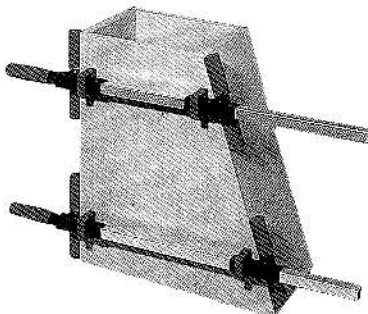
Item No.	Type	Clamping width mm	Reach mm	Steel rail mm	Weight kg
782.130	GVB 30-17,5	300	175	40 x 20	5,53
782.140	GVB 40-17,5	400	175	40 x 20	6,04
782.150	GVB 50-17,5	500	175	40 x 20	6,53
782.160	GVB 60-17,5	600	175	40 x 20	7,05
782.180	GVB 80-17,5	800	175	40 x 20	8,05
782.200	GVB 100-17,5	1000	175	40 x 20	9,05
782.225	GVB 125-17,5	1250	175	40 x 20	10,30
782.250	GVB 150-17,5	1500	175	40 x 20	11,50

783

Eccentric clamps

of white beech, steel rail galvanized, with eccentric clamping area with cork lining.

Item No.	Type	Clamping width mm	Reach mm	Weight kg
783.020	HZ 20	200	110	0,45
783.030	HZ 30	300	110	0,50
783.040	HZ 40	400	110	0,60
783.060	HZ 60	600	110	0,75
783.080	HZ 80	800	110	0,90

783A

Body clamps

with fixed and moveable jaws, stepless adjustability, of square steel tubing 25 x 25 x 2 mm, galvanized. Fittings of black-coated steel. Pressure surfaces with protective plastic coating, red-varnished wooden handle.

Item No.	Type	Clamping width mm	Weight kg
783.170	KS 70	700	1,9
783.200	KS 100	1000	2,1
783.250	KS 150	1500	2,4
783.300	KSV	1000	0,7
Extension			